



Features:

- No UV or IR light radiation.
- Provide 360° beam angles.
- Low Power Consumption: Less than 2.5Watts.
- Long lifetime: 25000 hours (L₇₀).
- High CRI: 70-85
- Correlated Color Temperature:2700-6500K.
- Operating temperature: -20°C~+60°C.
- 12V DC input.
- LED type:5050SMD.

Benefits:

- Energy Cost Savings:
Over 60% Compared to Incandescent.
- Solid-State:
High-Shock & High-Vibration Resistant,
Both Electrical and Mechanical
- Energy Cost Savings:
- Eco-Friendly:
No Mercury, No Lead Content
- No Hazardous Emissions:
No UV or IR Radiation
- Constant Light Output:
Even Lighting, Non-Halation

Applications:

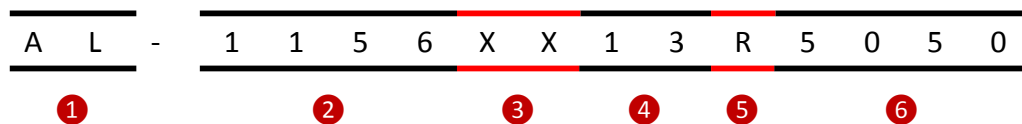
- Used in automobile lights: Turn
Signal lamp/Backup lamp/Stop
lamp
- Other Lighting

Product Specifications:

Base Type	BA15S/1156
Input Voltage	12V DC
Wattage	2.5W
Operating Temperature	-20°C ~ +60°C
Storage Temperature	-30°C ~ +70°C
Net Weight per piece (Kg)	--
Certifications	RoHS Compliant
Size	∅ 20*42mm

Product Selection Guide:

Part No.	Beam Angle	Total Lumens	CCT	Color	CRI
AL-1156WW13R-5050	360°	150±5%	2700-3500K	Warm White	≥70
AL-1156NW13R-5050	360°	160±5%	4000-4500K	Neuter White	≥70
AL-1156W13R-5050	360°	180±5%	6000-6500K	White	≥70



LED Automotive Light Lamp Series

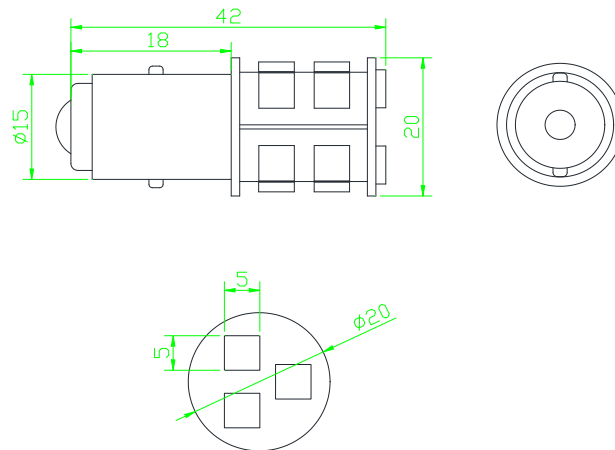
Data Sheet

AL-1156W13R-5050

DC 12V, 2.5W

①	AL:	Automotive Light
②	1150:	Lamp base model
③	XX:	WW- Warm White NW- Neuter White W-White
④	13:	13 pcs of LED
⑤	R:	DC12V
⑥	5050:	5050 SMD LED type

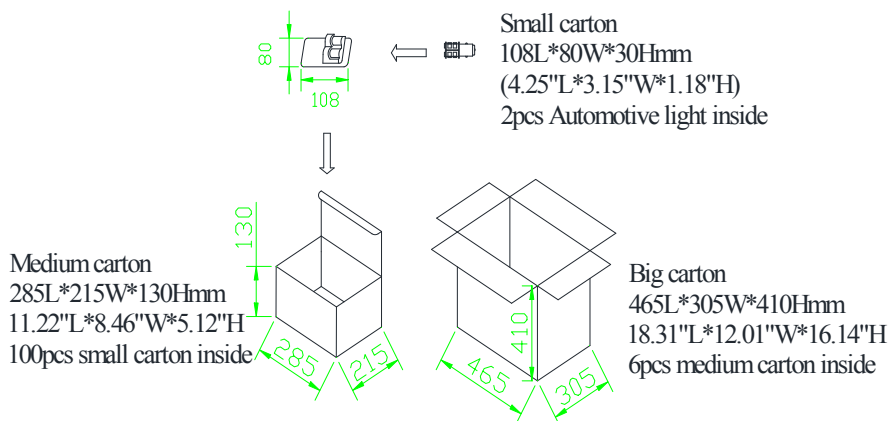
Product Dimensions:



Notes:

1. All dimensions unit in mm
2. Tolerances are ± 0.5 mm unless otherwise noted.

Package Dimension:



Installation Instructions and Warnings:

- Turn off power before inspection, installation, or removal.
- Not for use where exposed to the weather
- Do not use in totally enclosed fixtures.
- Not for use with dimmers.
- Please make sure to use a suitable adapter. Please mind the minimum load of your adapter.

Notes:

The part number, type, and specifications mentioned in this document are subject to future change and improvement without notice. Before production usage customer should refer to the latest datasheet for the updated specifications.