

### Features:

- No UV or IR light radiation.
- Provide 140° beam angles.
- Easy Installation.
- Low Power Consumption: Less than 80 Watts.
- Long lifetime: 25000 hours (L<sub>70</sub>).
- Sturdy Construction:
  - Aluminum alloy Lamp Base.
- High CRI: 70-85
- Correlated Color Temperature: 2700-6500K.
- Operating temperature: -20°C~+60°C.
- 90-260V AC input.
- Protection grade: IP65.

### Benefits:

- Energy Cost Savings:  
Over 60% Compared to Incandescent.
- Solid-State:  
High-Shock & High-Vibration Resistant,  
Both Electrical and Mechanical
- Energy Cost Savings:
- Eco-Friendly:  
No Mercury, No Lead Content
- No Hazardous Emissions:  
No UV or IR Radiation
- Constant Light Output:  
Even Lighting, Non-Halation

### Applications:

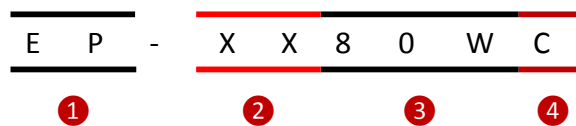
- Gas station lighting
- Outdoor lighting
- Other Lighting

**Product Specifications:**

Diffuser	PMMA
Input Voltage	90-260V AC
IP	IP65
Wattage	50W
Power Factor	PF $\geq$ 0.8
Operating frequency	50-60Hz
Operating Temperature	-20°C ~ +60°C
Storage Temperature	-30°C ~ +70°C
Net Weight per piece (Kg)	7KG
Certifications	RoHS Compliant

**Product Selection Guide:**

Part No.	Beam Angle	Total Lumens	CCT	Color	CRI
EP-WW80WC	140°	6300±5%	2700-3500K	Warm White	$\geq$ 70
EP-W80WC	140°	6400±5%	5500-6500K	White	$\geq$ 70



# LED Explosion-proof Light Lamp Series

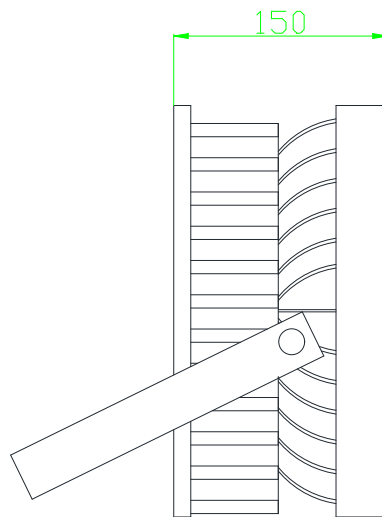
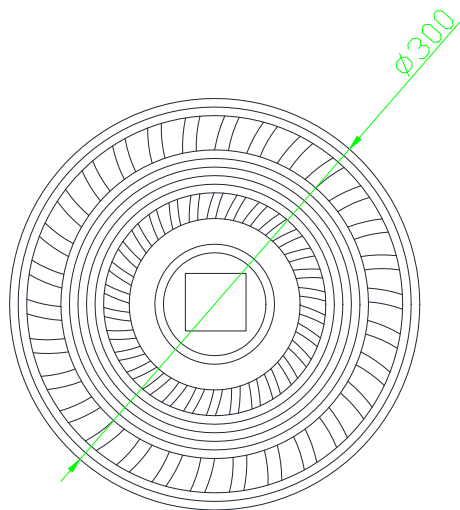
## Data Sheet

EP-XX80WC

AC90-260V, 80W

①	EP:	Product Type.
②	XX:	WW-Warm White    W-White
③	80W:	The single LED power is 80W
④	C:	AC90-260V

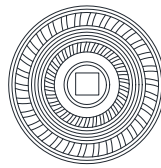
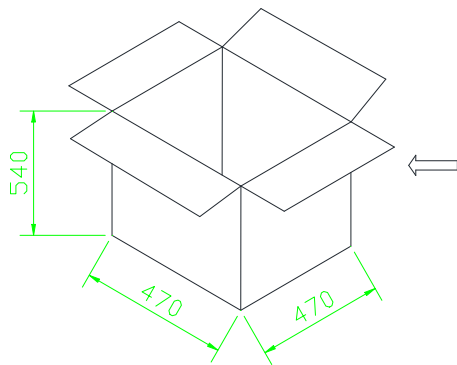
### Product Dimensions:



#### Notes:

1. All dimensions unit in mm
2. Tolerances are  $\pm 0.5\text{mm}$  unless otherwise noted.

### Package Dimension:



Small carton  
470L\*470W\*540Hmm  
(18.5"L\*18.5"W\*21.26"H)  
1pcs Light inside

### Installation Instructions and Warnings:

- Turn off power before inspection, installation, or removal.
- Not for use where exposed to the weather
- Do not use in totally enclosed fixtures.
- Not for use with dimmers.
- Please make sure to use a suitable adapter. Please mind the minimum load of your adapter.

#### Notes:

The part number, type, and specifications mentioned in this document are subject to future change and improvement without notice. Before production usage customer should refer to the latest datasheet for the updated specifications.