



Features:

- No UV or IR light radiation.
- Provide 360° beam angles.
- Easy Installation: Using Existing G9 Fixture.
- Low Power Consumption: Less than 6 Watts.
- Long lifetime: 25000 hours (L₇₀).
- Sturdy Construction:
 - PC and Ceramics lamp Shell.
- High CRI: 70-85.
- Correlated Color Temperature: 2700-6500K.
- Operating temperature: -20°C~+60°C.
- 100-240V AC input.
- LED Type: 5730 LED/75PCS.

Benefits:

- Energy Cost Savings:
Over 60% Compared to Incandescent.
- Solid-State:
High-Shock & High-Vibration Resistant,
Both Electrical and Mechanical
- Energy Cost Savings:
- Eco-Friendly:
No Mercury, No Lead Content
- No Hazardous Emissions:
No UV or IR Radiation
- Constant Light Output:
Even Lighting, Non-Halation

Applications:

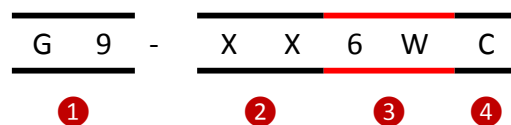
- Track Lighting
- Accent / Spot Lighting
- Display / Cabinet / Kiosk Lighting
- Architectural Lighting
- Art Gallery and Museum Lighting
- Other Lighting

Product Specifications:

Lens	PC
Lamp Shell	Ceramics
Input Voltage	100-240V AC
Base Type	G9
Wattage	6W
Power Factor	PF \geq 0.8
Operating frequency	50-60Hz
Operating Temperature	-20°C ~ +60°C
Storage Temperature	-30°C ~ +60°C
Net Weight per piece (Kg)	0.025Kg
Certifications	RoHS Compliant

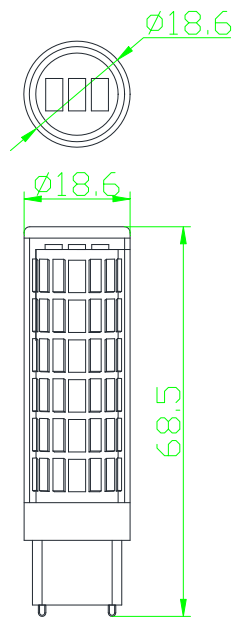
Product Selection Guide:

Part No.	Beam Angle	Total Lumens	CCT	Color	CRI
G9-WW6WC	360°	700 \pm 5%	2700-3500K	Warm White	\geq 70
G9-W6WC	360°	800 \pm 5%	6000-6500K	White	\geq 70



①	G9:	Product Type.
②	XX:	W-White, WW- Warm White
③	6W:	The single LED power is 6W
④	C:	AC100-240V

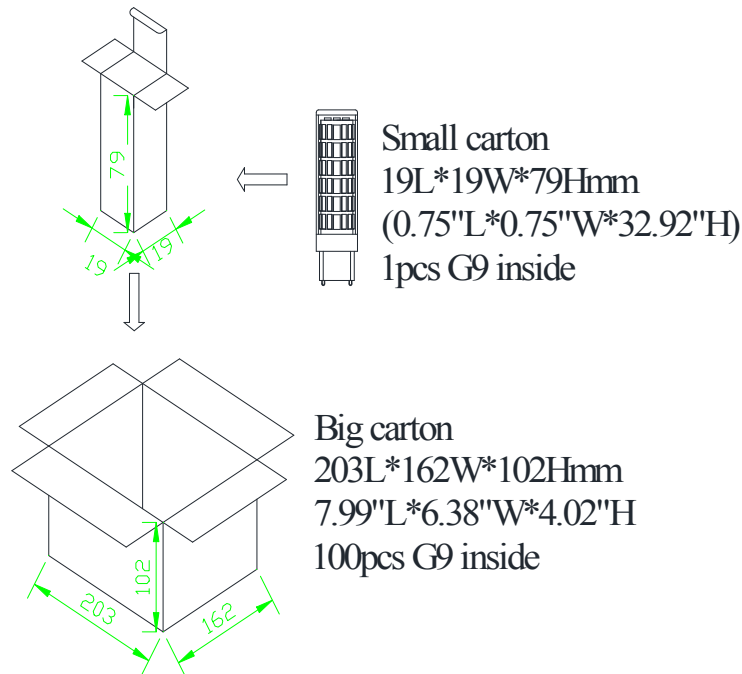
Product Dimensions:



Notes:

1. All dimensions unit in mm
2. Tolerances are ± 0.5 mm unless otherwise noted.

Package Dimension:



Installation Instructions and Warnings:

- Turn off power before inspection, installation, or removal.
- Not for use where exposed to the weather
- Do not use in totally enclosed fixtures.
- Not for use with dimmers.
- Please make sure to use a suitable adapter. Please mind the minimum load of your adapter.

Notes:

The part number, type, and specifications mentioned in this document are subject to future change and improvement without notice. Before production usage customer should refer to the latest datasheet for the updated specifications.