



### Features:

- No UV or IR light radiation.
- Provide 120° beam angles.
- Easy Installation.
- Low Power Consumption: Less than 20 Watts.
- High brightness, uniform light.
- Quick start, no blinking, no noise.
- Not subject to radio interference.
- Long lifetime: 25000 hours (L<sub>70</sub>).
- High CRI: 70-85.
- Correlated Color Temperature: 2700-6500K.
- Operating temperature: -20°C~+60°C.
- 220-240V AC input.
- LED Type : 2835 LED.
- Protection grade: IP65.

### Benefits:

- Energy Cost Savings:  
Over 60% Compared to Incandescent.
- Solid-State:  
High-Shock & High-Vibration Resistant,  
Both Electrical and Mechanical
- Energy Cost Savings:
- Eco-Friendly:  
No Mercury, No Lead Content
- No Hazardous Emissions:  
No UV or IR Radiation
- Constant Light Output:  
Even Lighting, Non-Halation

### Applications:

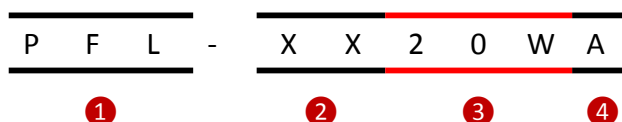
- Conferences/meeting rooms/show rooms/ showcases Lighting
- Villa/Residential houses Lighting
- Architectural Lighting
- Art Gallery and Museum Lighting
- Factories/plants/warehouses/ offices Lighting
- Other Lighting

**Product Specifications:**

Lamp Shell	PC
Input Voltage	220-240V AC
Wattage	20W
Power Factor	PF $\geq$ 0.9
Operating frequency	50-60Hz
Operating Temperature	-20°C ~ +60°C
Storage Temperature	-30°C ~ +60°C
Net Weight per piece (Kg)	1.1KG
Certifications	RoHS Compliant
Size	662*118*80mm

**Product Selection Guide:**

Part No.	Beam Angle	Total Lumens	CCT	Color	CRI
PFL-WW20WA	120°	1900 $\pm$ 10%	2700-3500K	Warm White	$\geq$ 80
TPFL-W20WA	120°	2000 $\pm$ 10%	5500-6500K	White	$\geq$ 70



# LED Tri-proof Light Lamp Series

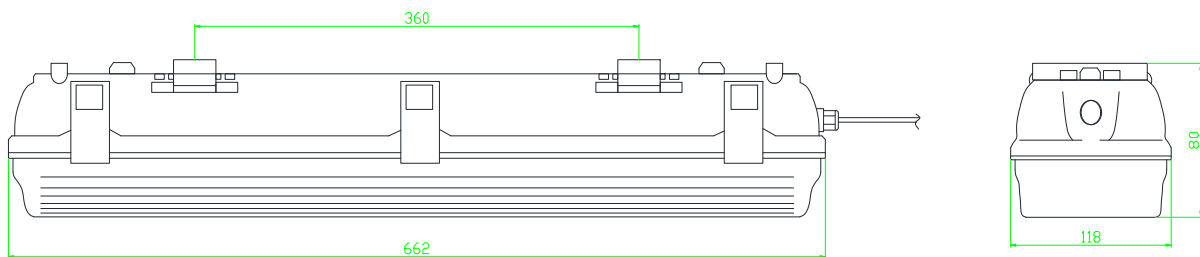
## Data Sheet

# PFL-XX20WA

## AC220-240V, 20W

①	PFL:	Product Type.
②	XX:	WW-Warm White    W- White
③	20W:	Power is 25W
④	A:	AC220-240V

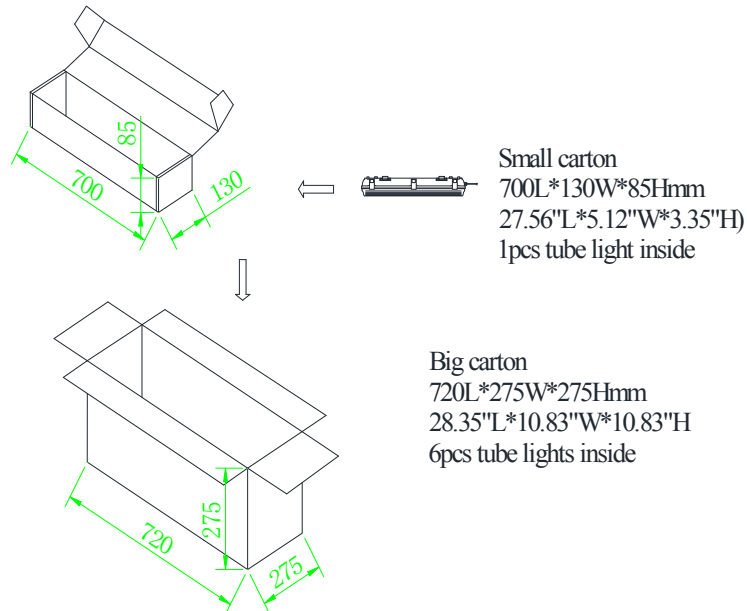
### Product Dimensions:



### Notes:

1. All dimensions unit in mm
2. Tolerances are  $\pm 0.5\text{mm}$  unless otherwise noted.

### Package Dimension:



### Installation Instructions and Warnings:

- Turn off power before inspection, installation, or removal.
- Not for use where exposed to the weather
- Do not use in totally enclosed fixtures.
- Not for use with dimmers.
- Please make sure to use a suitable adapter. Please mind the minimum load of your adapter.

#### Notes:

The part number, type, and specifications mentioned in this document are subject to future change and improvement without notice. Before production usage customer should refer to the latest datasheet for the updated specifications.