



### Features:

- No UV or IR light radiation.
  - Provide 120° beam angles.
  - Easy Installation.
  - Low Power Consumption: Less than 10 Watts.
  - Long lifetime: 25000 hours (L<sub>70</sub>).
- Sturdy Construction:
- UV Stabilized toughened glass and Aluminum alloy Lamp Base.
  - High CRI: 70-85.
  - Correlated Color Temperature: 2700-6500K.
  - Operating temperature: -20°C~+60°C.
  - 90-265V AC input.
  - LED type: 1 Module LED.

### Benefits:

- Energy Cost Savings:  
Over 60% Compared to Incandescent.
- Solid-State:  
High-Shock & High-Vibration Resistant,  
Both Electrical and Mechanical
- Energy Cost Savings:
- Eco-Friendly:  
No Mercury, No Lead Content
- No Hazardous Emissions:  
No UV or IR Radiation
- Constant Light Output:  
Even Lighting, Non-Halation

### Applications:

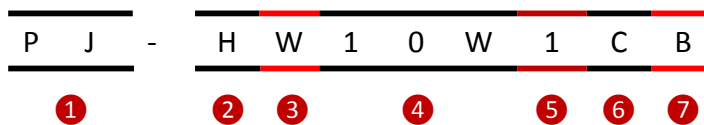
- Shopping mall lighting.
- Exhibition hall lighting
- Parking lot lighting.
- Gymnasium lighting
- Park/sculpture and national green lighting project
- Tourist attractions lighting
- The building elevation of lighting
- Other Lighting

**Product Specifications:**

Diffuser	Toughened glass
Input Voltage	90-265V AC
IP	IP65
Wattage	10W
Power Factor	PF $\geq$ 0.9
Operating frequency	50-60Hz
Operating Temperature	-20°C ~ +60°C
Storage Temperature	-30°C ~ +70°C
Net Weight per piece (Kg)	0.49KG
Certifications	RoHS Compliant

**Product Selection Guide:**

Part No.	Beam Angle	Total Lumens	CCT	Color	CRI
PJ-HW10W1CB	120°	890±5%	5500-6000K	White	$\geq$ 70



# LED Projection Light Lamp Series

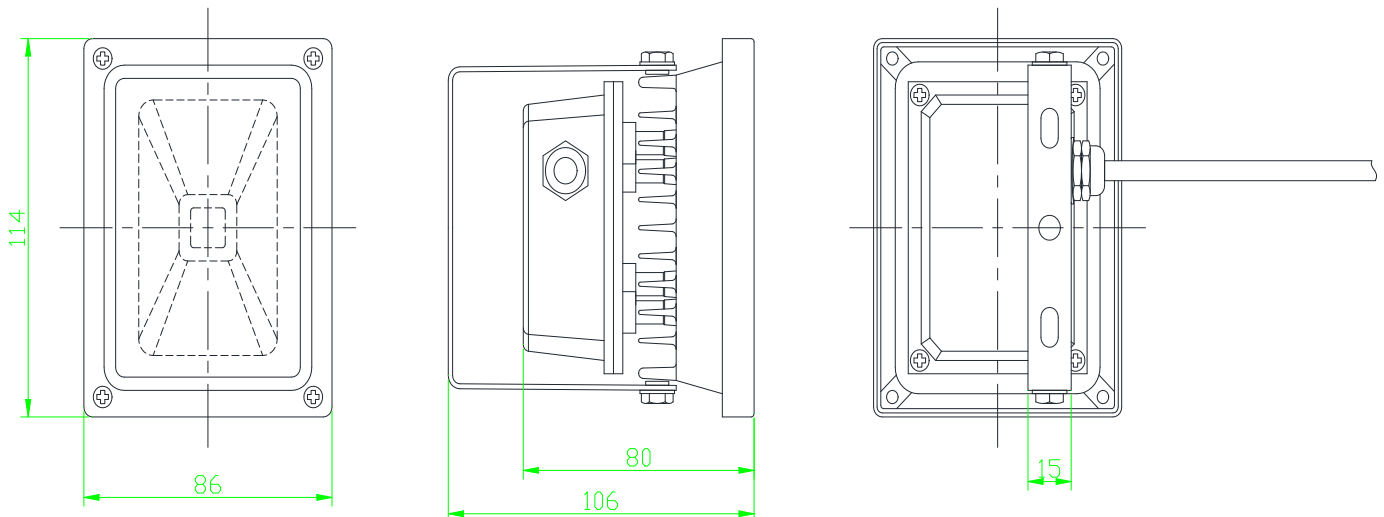
## Data Sheet

# PJ-HW10W1CB

## AC90-256V, 10W

①	PJ:	Product Type.
②	H:	High Power LED Series
③	W:	W-White
④	10W:	The single LED power is 10W
⑤	1:	1 pcs of LED
⑥	C:	AC90-265V
⑦	B:	Power Type

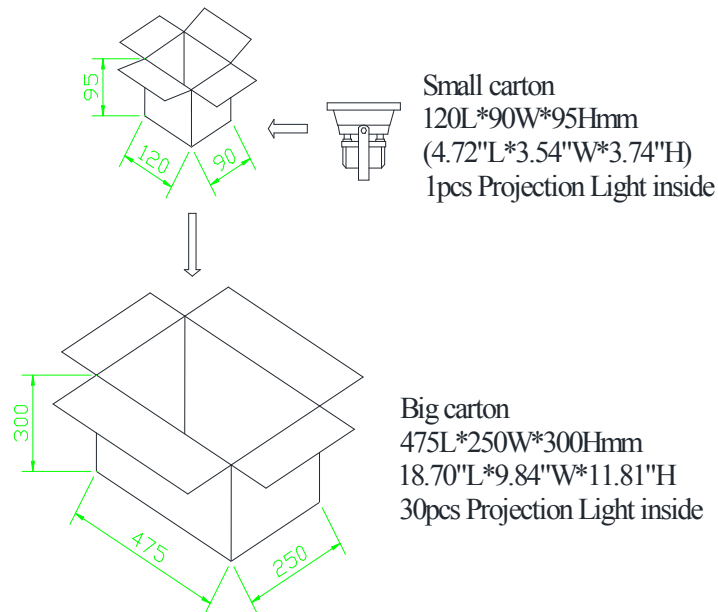
### Product Dimensions:



### Notes:

1. All dimensions unit in mm
2. Tolerances are  $\pm 0.5\text{mm}$  unless otherwise noted.

### Package Dimension:



### Installation Instructions and Warnings:

- Turn off power before inspection, installation, or removal.
- Not for use where exposed to the weather
- Do not use in totally enclosed fixtures.
- Not for use with dimmers.
- Please make sure to use a suitable adapter. Please mind the minimum load of your adapter.

#### Notes:

The part number, type, and specifications mentioned in this document are subject to future change and improvement without notice. Before production usage customer should refer to the latest datasheet for the updated specifications.