



### Features:

- No UV or IR light radiation.
- Provide 120° beam angles.
- Easy Installation.
- Low Power Consumption: Less than 4 Watts.
- Long lifetime: 25000 hours (L<sub>70</sub>).
- Sturdy Construction:
  - Stabilized PC Lampshade and Lamp Shell.
  - High CRI: 70-85.
  - Correlated Color Temperature: 2700-6500K.
  - Operating temperature: -20°C~+60°C.
- 220V AC input.
- LED type: 5050 LED/12PCS.
- Waterproof: IP65.

### Benefits:

- Energy Cost Savings:  
Over 60% Compared to Incandescent.
- Solid-State:  
High-Shock & High-Vibration Resistant,  
Both Electrical and Mechanical
- Energy Cost Savings:
- Eco-Friendly:  
No Mercury, No Lead Content
- No Hazardous Emissions:  
No UV or IR Radiation
- Constant Light Output:  
Even Lighting, Non-Halation

### Applications:

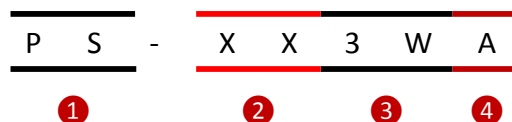
- Suitable for body building lighting
- Bridge/hotel lighting
- Billboards lighting
- Wall lighting
- Evening outdoor decorative lighting
- Other Lighting

**Product Specifications:**

Lamp Shell	PC
Input Voltage	220V AC
IP	IP65
Wattage	4W
Control model	Internal control
Operating Temperature	-20°C ~ +60°C
Storage Temperature	-30°C ~ +70°C
Net Weight per piece (Kg)	0.1KG
Certifications	RoHS Compliant

**Product Selection Guide:**

Part No.	Beam Angle	Total Lumens	CCT	Color	CRI
PS-WW4WA	120°	40±5%	2700-3500K	Warm White	≥70
PS-W4WA	120°	50±5%	5500-6500K	White	≥70



# LED Point Light Lamp Series

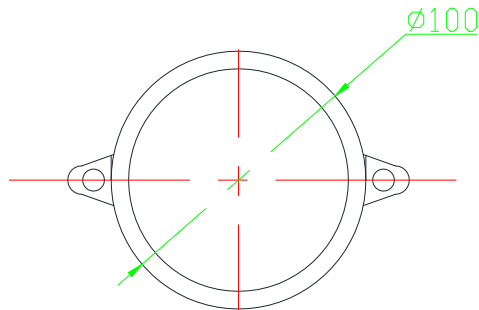
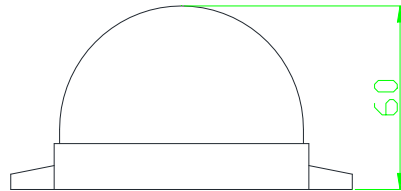
## Data Sheet

PS-XX4WA

AC220V, 4W

①	PS:	Product Type.
②	XX:	WW-Warm White    W-White
③	4W:	The single LED power is 4W
④	A:	AC220V

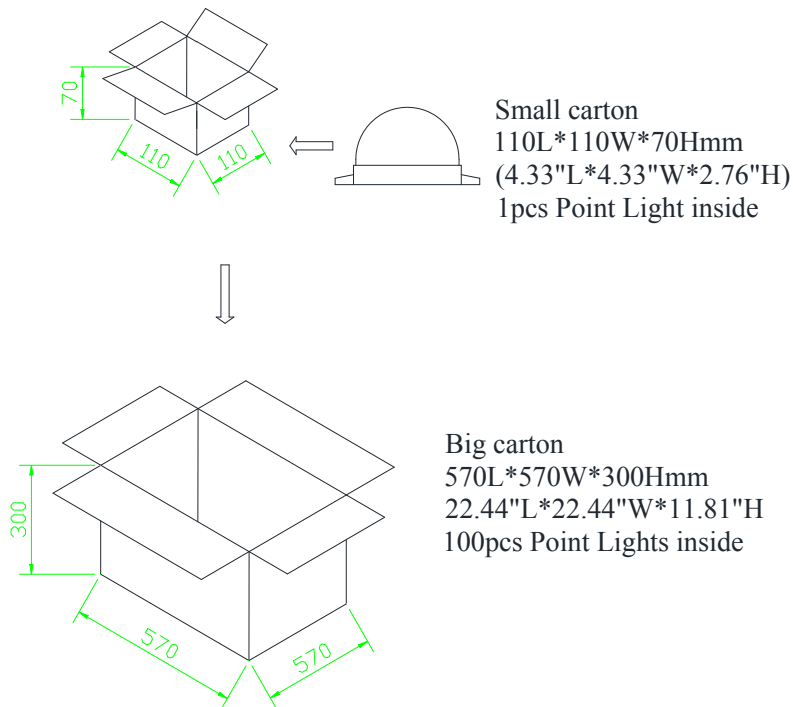
### Product Dimensions:



### Notes:

1. All dimensions unit in mm
2. Tolerances are  $\pm 0.5$ mm unless otherwise noted.

### Package Dimension:



### Installation Instructions and Warnings:

- Turn off power before inspection, installation, or removal.
- Not for use where exposed to the weather
- Do not use in totally enclosed fixtures.
- Not for use with dimmers.
- Please make sure to use a suitable adapter. Please mind the minimum load of your adapter.

#### Notes:

The part number, type, and specifications mentioned in this document are subject to future change and improvement without notice. Before production usage customer should refer to the latest datasheet for the updated specifications.