



Features:

- No UV or IR light radiation.
- Provide 180° beam angles.
- Easy Installation: Using Existing E27 Base Fixture.
- Low Power Consumption: Less than 12 Watts.
- Long lifetime: 25000 hours (L₇₀).
- Sturdy Construction:
 - PC And Plastic Aluminium alloy Lamp Shell.
- High CRI: 70-85.
- Correlated Color Temperature: 2700-6500K.
- Operating temperature: -20°C~+60°C.
- 110-265V AC input.
- LED Type: 2835 LED.

Benefits:

- Energy Cost Savings:
Over 60% Compared to Incandescent.
- Solid-State:
High-Shock & High-Vibration Resistant,
Both Electrical and Mechanical
- Energy Cost Savings:
- Eco-Friendly:
No Mercury, No Lead Content
- No Hazardous Emissions:
No UV or IR Radiation
- Constant Light Output:
Even Lighting, Non-Halation

Applications:

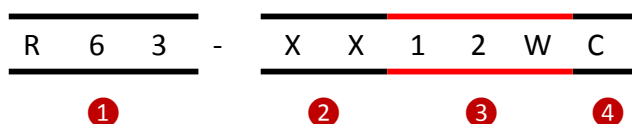
- Track Lighting
- Accent / Spot Lighting
- Display / Cabinet / Kiosk Lighting
- Architectural Lighting
- Art Gallery and Museum Lighting
- Other Lighting

Product Specifications:

Lamp Shell	Plastic+Aluminium alloy
Input Voltage	110-265V AC
Base Type	E27 Base
Wattage	12W
Power Factor	PF \geq 0.6
Operating frequency	50-60Hz
Operating Temperature	-20°C ~ +60°C
Storage Temperature	-30°C ~ +70°C
Net Weight per piece (Kg)	0.07
Certifications	RoHS Compliant
Size	Ø63*100mm

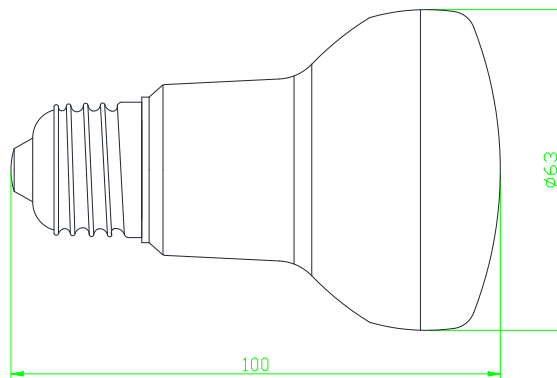
Product Selection Guide:

Part No.	Beam Angle	Total Lumens	CCT	Color	CRI
R63-WW12WC	180°	900±5%	2700-3500K	Warm White	≥80
R63-W12WC	180°	1000±5%	5500-6500K	White	≥70



①	R63:	Bulb Light
②	XX:	WW- Warm White W-White
③	12W:	The single LED power is 12W
④	C:	AC110-265V

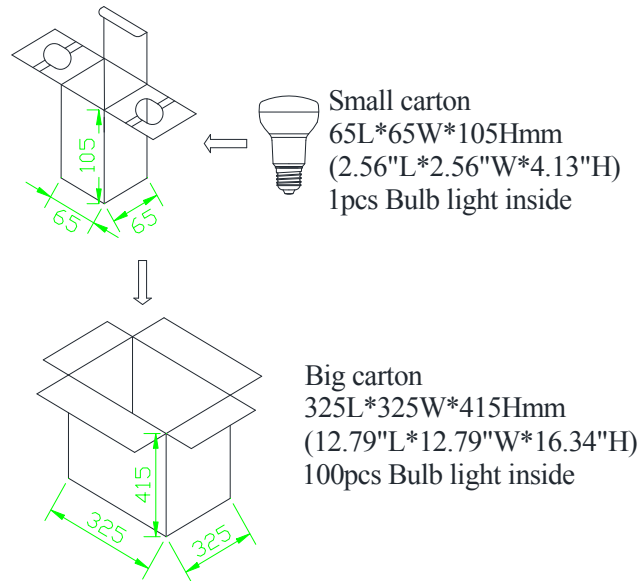
Product Dimensions:



Notes:

1. All dimensions unit in mm
2. Tolerances are ± 0.5 mm unless otherwise noted.

Package Dimension:



Installation Instructions and Warnings:

- Turn off power before inspection, installation, or removal.
- Not for use where exposed to the weather
- Do not use in totally enclosed fixtures.
- Not for use with dimmers.
- Please make sure to use a suitable adapter. Please mind the minimum load of your adapter.

Notes:

The part number, type, and specifications mentioned in this document are subject to future change and improvement without notice. Before production usage customer should refer to the latest datasheet for the updated specifications.