

Features:

- No UV or IR light radiation.
 - Provide 60° beam angles.
 - Easy Installation.
 - Low Power Consumption: Less than 10 Watts.
 - Long lifetime: 25000 hours (L₇₀).
- Sturdy Construction:
- UV Stabilized toughened glass and Aluminium alloy Lamp shell.
 - High CRI: 70-85.
 - Correlated Color Temperature: 2700-6500K.
 - Operating temperature: -20°C~+60°C.
 - 85-265V AC input.
 - Waterproof: IP65.

Benefits:

- Energy Cost Savings:
Over 60% Compared to Incandescent.
- Solid-State:
High-Shock & High-Vibration Resistant,
Both Electrical and Mechanical
- Energy Cost Savings:
- Eco-Friendly:
No Mercury, No Lead Content
- No Hazardous Emissions:
No UV or IR Radiation
- Constant Light Output:
Even Lighting, Non-Halation

Applications:

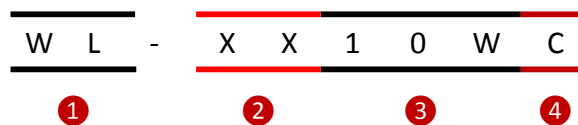
- Courtyard lighting
- Wall lighting
- Scenic lighting
- Other Lighting

Product Specifications:

Lamp Shell	Aluminium
Input Voltage	85-265V AC
IP	IP65
Wattage	10W
Power Factor	PF ≥ 0.5
Operating frequency	50-60Hz
Operating Temperature	-20°C ~ +60°C
Storage Temperature	-30°C ~ +70°C
Net Weight per piece (Kg)	0.4KG
Certifications	RoHS Compliant

Product Selection Guide:

Part No.	Beam Angle	Total Lumens	CCT	Color	CRI
WL-WW10WC	60°	700±10%	2700-3500K	Warm White	≥70
WL-W10WC	60°	750±10%	5500-6500K	White	≥70



LED Wall Sconces Light Lamp Series

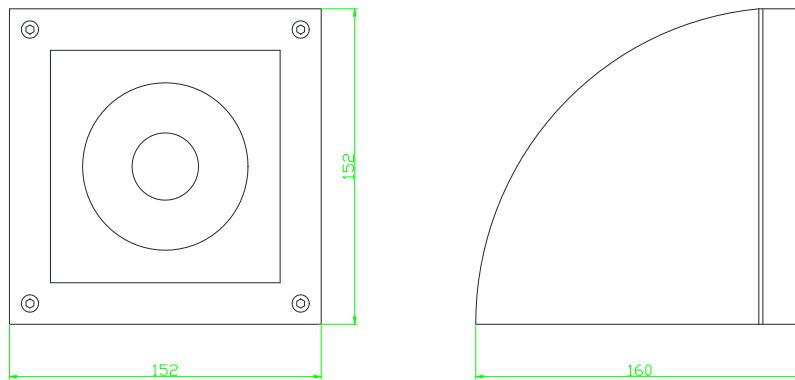
Data Sheet

WL-XX20WC

AC85-265V, 10W

1	WL:	Product Type.
2	XX:	WW-Warm White W-White
3	10W:	The single LED power is 10W
4	C:	AC85-265V

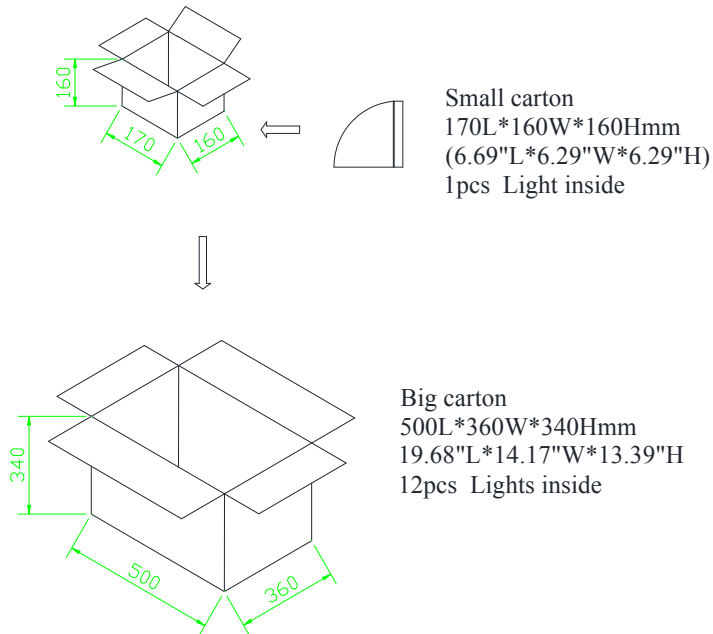
Product Dimensions:



Notes:

1. All dimensions unit in mm
2. Tolerances are $\pm 0.5\text{mm}$ unless otherwise noted.

Package Dimension:



Installation Instructions and Warnings:

- Turn off power before inspection, installation, or removal.
- Not for use where exposed to the weather
- Do not use in totally enclosed fixtures.
- Not for use with dimmers.
- Please make sure to use a suitable adapter. Please mind the minimum load of your adapter.

Notes:

The part number, type, and specifications mentioned in this document are subject to future change and improvement without notice. Before production usage customer should refer to the latest datasheet for the updated specifications.